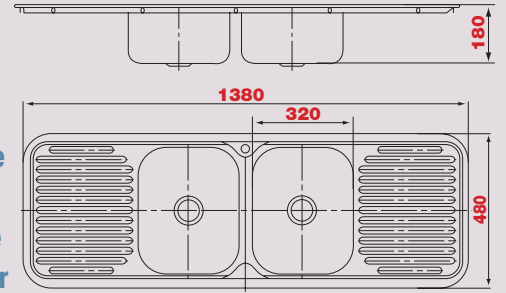


# STERLING

## classic sink collection



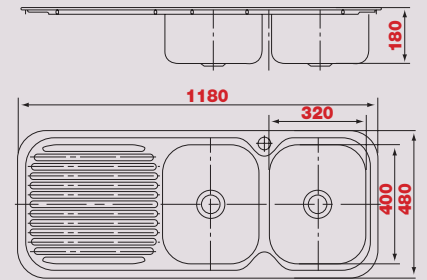
[model S220 overall dimensions 1380mm x 480mm]



Double bowl double drainer



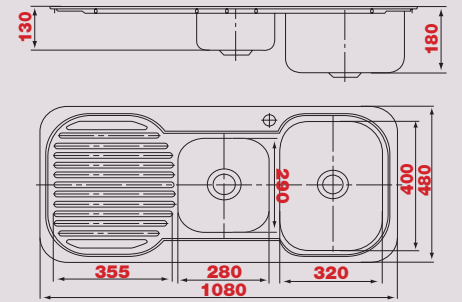
[model S210 overall dimensions 1180mm x 480mm]



Double bowl single drainer



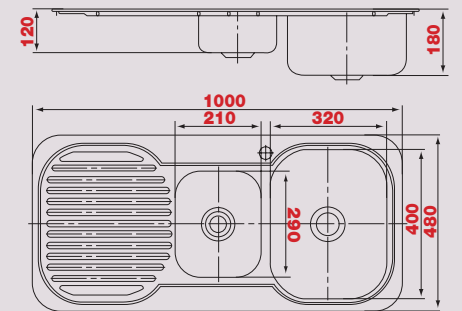
[model S175 overall dimensions 1080mm x 480mm]



One and three quarter bowl sink



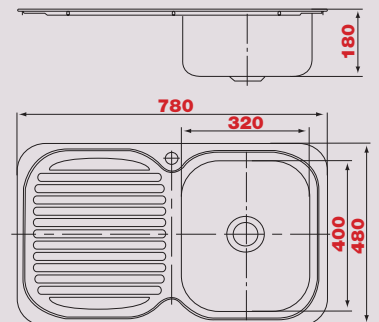
[model S150 overall dimensions 1000mm x 480mm]



One and a half bowl sink



[model S100 overall dimensions 780mm x 480mm]



Single bowl and drainer

All Sterling Sinks are manufactured from genuine and hygienic "304" grade stainless steel in 0.8mm gauge. They are compact in size and designed to provide maximum benchtop work space, without compromising on the bowl size and depth. Sterling Sinks are not only sleek, attractive and timeless in design but also strong and durable in construction.

All single drainer sinks available in left or right hand bowls.

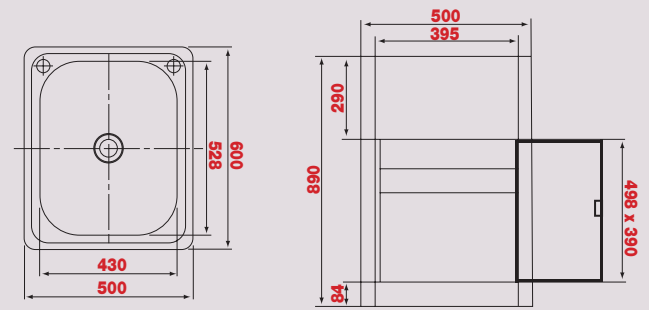
## other products in the sterling range...

### Stainless Steel 45 litre laundry tub with Stainless Steel cabinet

model SFSS45

overall dimensions  
600 X 500 X 890 (H)

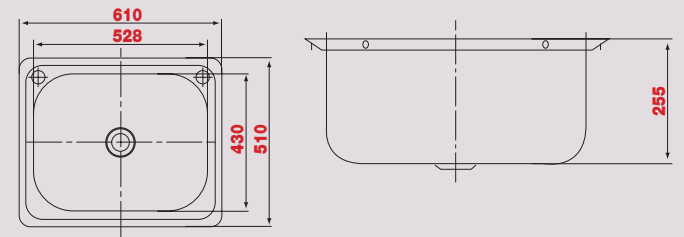
also available as compact 500 x 600 x 890 (H) and mini 580 x 435 x 890 (H)



### Flushline 45 litre laundry tub

model SLT600FBP

overall dimensions  
610mm x 510mm diameter

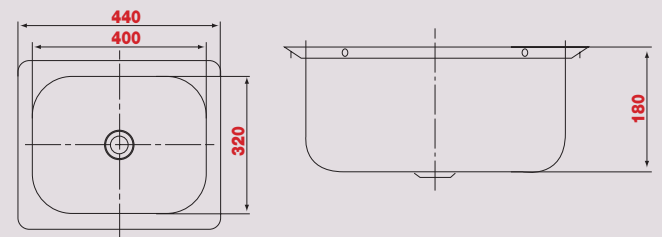


### Multipurpose sink

model SLB400

overall dimensions  
440mm x 360mm

also available  
SLB300 390mm x 360mm  
+ SLB500 550mm x 430mm  
with tap hole

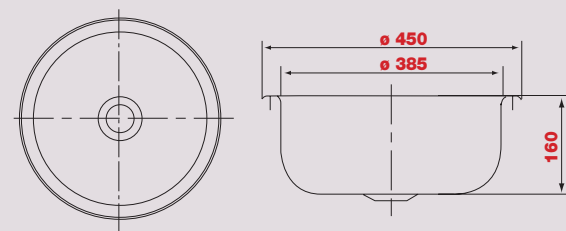


### Round bowl

model SRB45

overall dimensions  
450 diameter

also available with tap hole  
480 diameter



Please contact your local distributor for complete range of Sterling Sinks.

## optional accessories



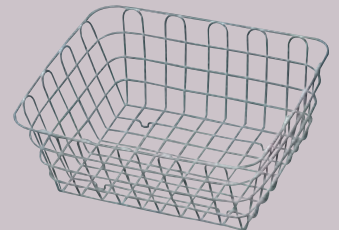
Chopping boards



Basket waste



Colander



Wire basket

All Sterling Sinks come with a 15 year warranty against manufacturing defects from date of purchase. Sterling Sinks' liability is limited to replacement of the product and is not responsible for any incidental costs.

Note: Sterling Sinks reserves the right to change specifications and dimensions without notice. Please check all dimensions of the product prior to installation.

Available from: