

STERLING

classic sink collection



[model S220 overall dimensions 1380mm x 480mm]



[model S210 overall dimensions 1180mm x 480mm]



[model S175 overall dimensions 1080mm x 480mm]

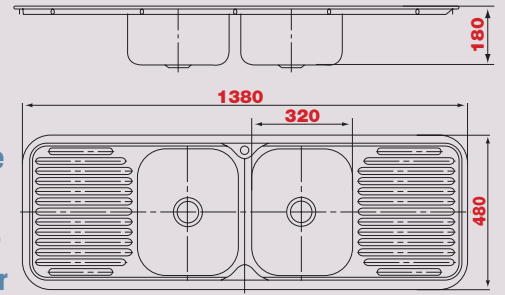


[model S150 overall dimensions 1000mm x 480mm]

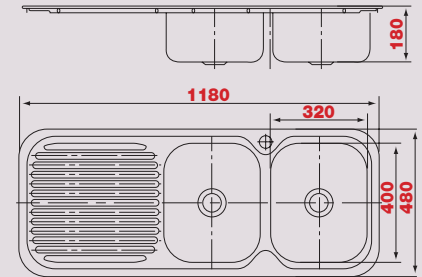


[model S100 overall dimensions 780mm x 480mm]

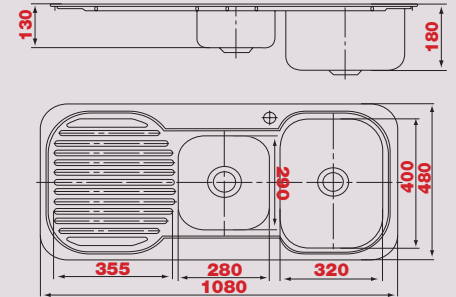
Double bowl double drainer



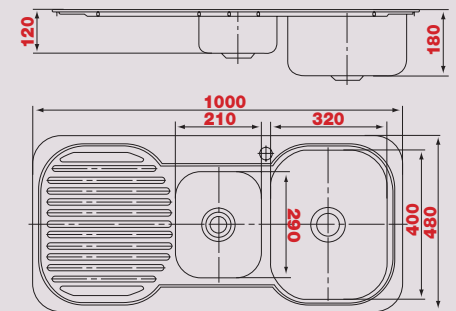
Double bowl single drainer



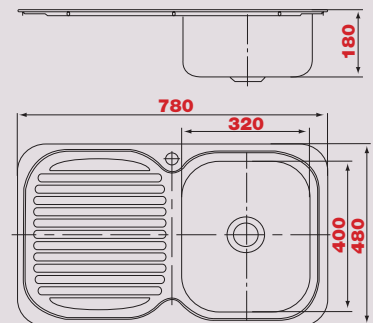
One and three quarter bowl sink



One and a half bowl sink



Single bowl and drainer



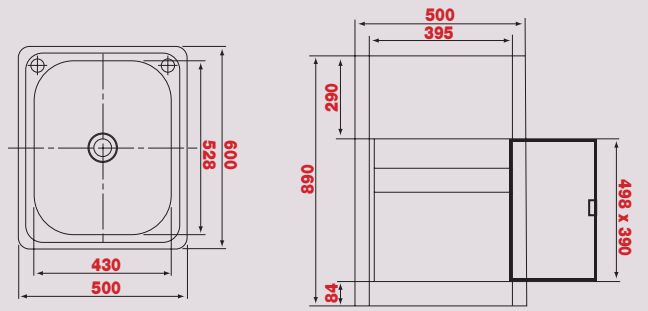
All Sterling Sinks are manufactured from genuine and hygienic "304" grade stainless steel in 0.8mm gauge. They are compact in size and designed to provide maximum benchtop work space, without compromising on the bowl size and depth. Sterling Sinks are not only sleek, attractive and timeless in design but also strong and durable in construction.

All single drainer sinks available in left or right hand bowls.

other products in the sterling range...

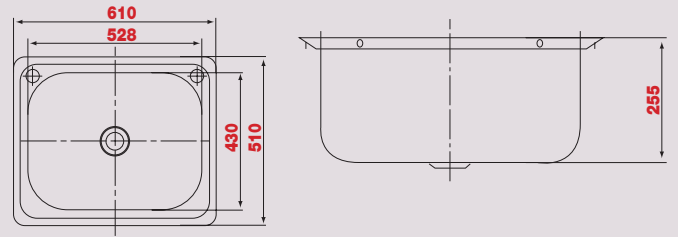
Stainless Steel 45 litre laundry tub with Stainless Steel cabinet

model SFSS45
 overall dimensions
 600 X 500 X 890 (H)
 also available as compact 500 x 600 x 890 (H) and mini 435 x 580 x 890 (H)



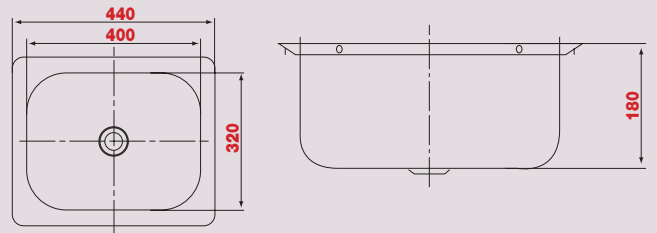
Flushline 45 litre laundry tub

model SLT600FBP
 overall dimensions
 610mm x 510mm diameter



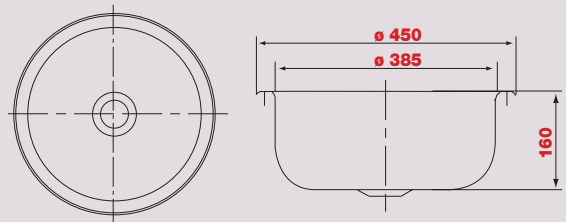
Multipurpose sink

model SLB400
 overall dimensions
 440mm x 360mm
 also available
 SLB300 390mm x 360mm
 + SLB500 550mm x 430mm
 with tap hole



Round bowl

model SRB45
 overall dimensions
 450 diameter
 also available with tap hole
 470 diameter



Please contact your local distributor for complete range of Sterling Sinks.

optional accessories



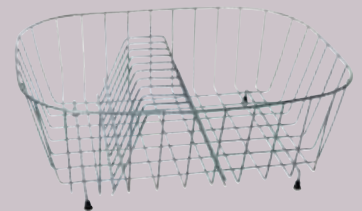
Chopping boards



Basket waste



Colander



Dish rack

All Sterling Sinks come with a 25 year warranty against manufacturing defects from date of purchase. Sterling Sinks' liability is limited to replacement of the product and is not responsible for any incidental costs.

Note: Sterling Sinks reserves the right to change specifications and dimensions without notice. Please check all dimensions of the product prior to installation.

Available from: